



**BLACKSHOW
AFRICA**

POWER TRANSMISSION PARTS

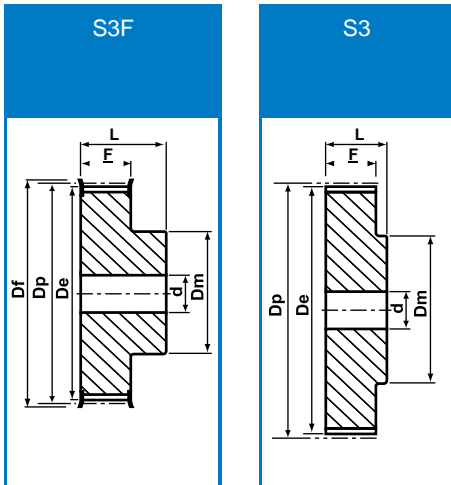
Spare parts in-stock when you need them

PULLEYS



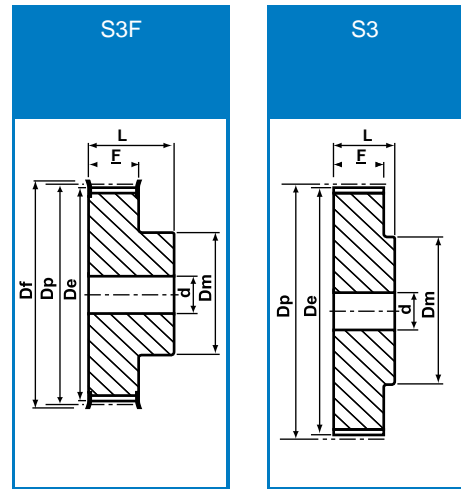
www.blackshowafrica.co.za

5mmPitch 5M-09 (9mm Wide Belt)



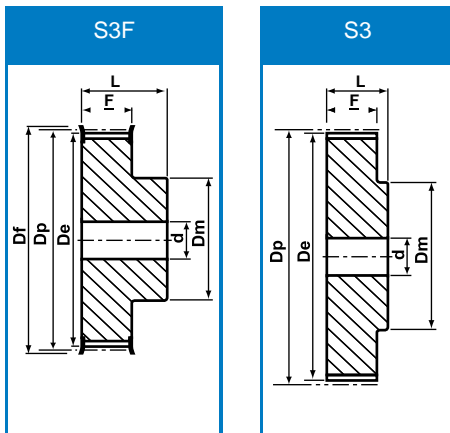
Product Designation	Number of teeth	Type	De	Dp	Df	Dm	F	L	d	Weight kg
12-5M-09	12	S3F	18	19.10	23	13	15	20.0	6	0.02
14-5M-09	14	S3F	21	22.28	25	14	15	20.0	6	0.03
15-5M-09	15	S3F	23	23.87	28	16	15	20.0	6	0.04
16-5M-09	16	S3F	24	25.46	28	17	15	20.0	6	0.05
18-5M-09	18	S3F	28	28.65	32	20	15	20.0	6	0.07
20-5M-09	20	S3F	31	31.83	37	23	15	22.5	6	0.09
21-5M-09	21	S3F	32	33.42	38	24	15	22.5	6	0.11
22-5M-09	22	S3F	34	35.01	38	26	15	22.5	6	0.11
24-5M-09	24	S3F	37	38.20	43	27	15	22.5	6	0.14
26-5M-09	26	S3F	40	41.38	44	30	15	22.5	6	0.17
28-5M-09	28	S3F	43	44.56	48	31	15	22.5	6	0.20
30-5M-09	30	S3F	47	47.75	51	35	15	22.5	6	0.23
32-5M-09	32	S3F	50	50.93	54	38	15	22.5	8	0.27
36-5M-09	36	S3F	56	57.30	60	38	15	22.5	8	0.32
40-5M-09	40	S3F	63	63.66	70	38	15	22.5	8	0.40
44-5M-09	44	S3	69	70.03	-	38	15	25.5	8	0.17
48-5M-09	48	S3	75	76.39	-	45	15	25.5	8	0.18
60-5M-09	60	S3	94	95.49	-	45	15	25.5	8	0.23
72-5M-09	72	S3	113	114.59	-	45	15	25.5	8	0.27

5mm Pitch 5M-15 (15mm Wide Belt)



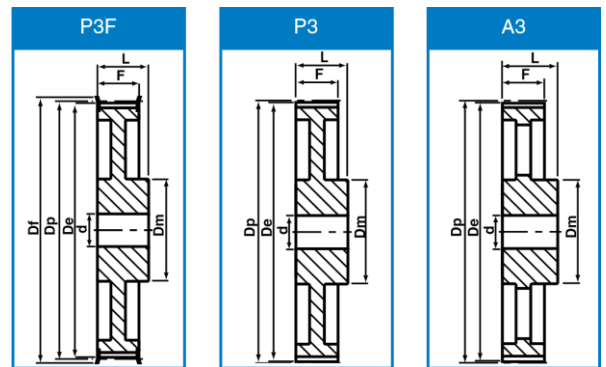
Product Designation	Number of teeth	Type	De	Dp	Df	Dm	F	L	d	Weight kg
12-5M-15	12	S3F	18	19.10	23	13	21	26	6	0.03
14-5M-15	14	S3F	21	22.28	25	14	21	26	6	0.04
15-5M-15	15	S3F	23	23.87	28	16	21	26	6	0.05
16-5M-15	16	S3F	24	25.45	28	17	21	26	6	0.06
18-5M-15	18	S3F	28	28.65	32	20	21	26	6	0.08
20-5M-15	20	S3F	31	31.83	37	23	21	26	6	0.11
21-5M-15	21	S3F	32	33.42	38	24	21	26	6	0.13
22-5M-15	22	S3F	34	35.01	38	26	21	26	6	0.14
24-5M-15	24	S3F	37	38.20	43	27	21	28	6	0.18
26-5M-15	26	S3F	40	41.38	44	30	21	28	6	0.22
28-5M-15	28	S3F	43	44.56	48	31	21	28	6	0.25
30-5M-15	30	S3F	47	47.75	51	35	21	28	6	0.30
32-5M-15	32	S3F	50	50.93	54	38	21	28	8	0.35
36-5M-15	36	S3F	56	57.30	60	38	21	28	8	0.42
40-5M-15	40	S3F	63	63.66	70	38	21	28	8	0.52
44-5M-15	44	S3	69	70.03	-	38	20	30	8	0.22
48-5M-15	48	S3	75	76.39	-	38	20	30	8	0.28
60-5M-15	60	S3	94	95.49	-	50	20	30	8	0.30
72-5M-15	72	S3	113	114.59	-	50	20	30	8	0.36

5mm Pitch 5M-25 (25mm Wide Belt)



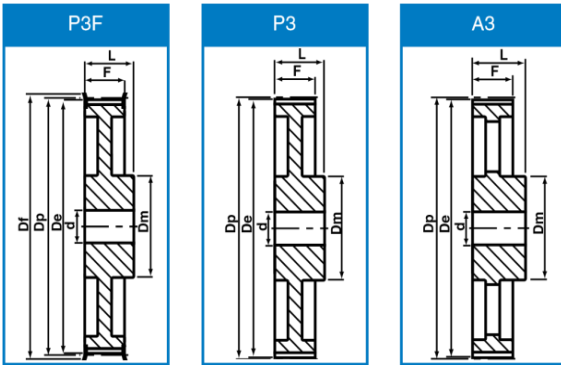
Product Designation	Number of teeth	Type	De	Dp	Df	Dm	F	L	d	Weight kg
12-5M-25	12	S3F	18	19.10	23	13	31	36	6	0.05
14-5M-25	14	S3F	21	22.28	25	14	31	36	6	0.07
15-5M-25	15	S3F	23	23.87	28	16	31	36	6	0.08
16-5M-25	16	S3F	24	25.45	28	17	31	36	6	0.10
18-5M-25	18	S3F	28	28.65	32	20	31	36	6	0.12
20-5M-25	20	S3F	31	31.83	37	23	31	36	6	0.16
21-5M-25	21	S3F	32	33.42	38	24	31	38	6	0.19
22-5M-25	22	S3F	34	35.01	38	26	31	38	6	0.21
24-5M-25	24	S3F	37	38.20	43	27	31	38	6	0.25
26-5M-25	26	S3F	40	41.38	44	30	31	38	6	0.30
28-5M-25	28	S3F	43	44.56	48	31	31	38	6	0.35
30-5M-25	30	S3F	47	47.75	51	35	31	38	6	0.42
32-5M-25	32	S3F	50	50.93	54	38	31	38	8	0.48
36-5M-25	36	S3F	56	57.30	60	39	31	38	8	0.59
40-5M-25	40	S3F	63	63.66	70	38	31	38	8	0.74
44-5M-25	44	S3	69	70.03	-	38	31	40	8	0.32
48-5M-25	48	S3	75	76.39	-	38	31	40	8	0.28
60-5M-25	60	S3	94	95.49	-	50	31	40	8	0.44
72-5M-25	72	S3	113	114.59	-	50	31	40	8	0.53

8mm Pitch 8M-20 (20mm Wide Belt)



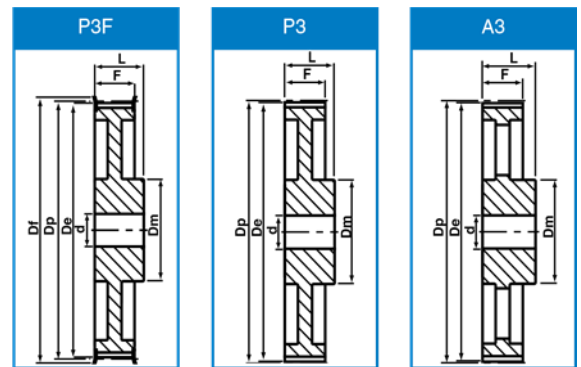
Product Designation	Number of teeth	Type	De	Dp	Df	Dm	Di	F	L	d	Weight kg
22-8M-20	22	S3F	55	56.02	60	43	-	28	38	12	0.54
24-8M-20	24	S3F	60	61.12	67	45	-	28	38	12	0.65
26-8M-20	26	S3F	65	66.21	70	50	-	28	38	12	0.80
28-8M-20	28	S3F	70	71.30	75	50	-	28	38	16	0.87
30-8M-20	30	S3F	75	76.39	83	55	-	28	38	16	1.02
32-8M-20	32	S3F	80	81.49	87	60	-	28	38	16	1.20
34-8M-20	34	S3F	85	86.58	91	70	-	28	38	16	1.40
36-8M-20	36	S3F	90	91.67	97	70	-	28	38	16	1.55
38-8M-20	38	S3F	95	96.77	102	75	-	28	38	16	1.65
40-8M-20	40	S3F	100	101.86	106	75	-	28	38	16	1.74
44-8M-20	44	S3F	111	112.05	120	75	-	28	38	16	2.10
48-8M-20	48	S3F	121	122.23	128	75	-	28	38	16	2.44
56-8M-20	56	P3F	141	142.60	150	80	117	28	38	16	2.60
64-8M-20	64	P3F	162	162.97	168	80	137	28	38	16	2.90
72-8M-20	72	P3F	182	183.35	192	80	158	28	38	16	3.10
80-8M-20	80	P3	202	203.72	-	90	180	28	38	16	3.80
90-8M-20	90	P3	228	229.18	-	90	204	28	38	16	4.20
112-8M-20	112	A3	284	285.21	-	90	260	28	38	16	5.20
144-8M-20	144	A3	365	366.69	-	90	341	28	38	20	7.50
168-8M-20	168	A3	426	427.81	-	100	402	28	38	20	10.00
192-8M-20	192	A3	488	488.92	-	100	463	28	38	20	14.40

8mm Pitch 8M-30 (30mm Wide Belt)



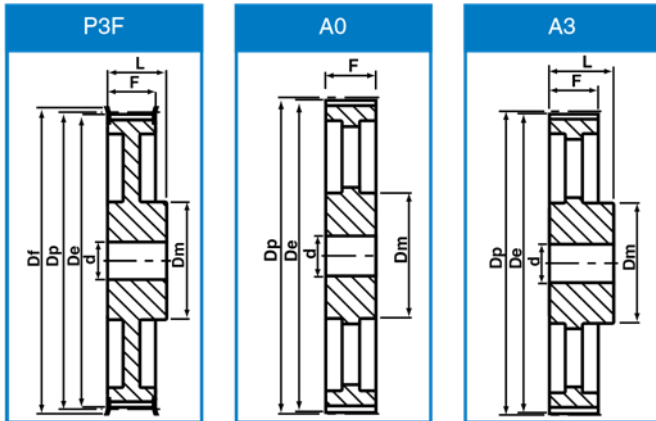
Product Designation	Number of teeth	Type	De	Dp	Df	Dm	Di	F	L	d	Weight kg
22-8M-30	22	S3F	55	56.02	60	43	-	38	48	12	0.69
24-8M-30	24	S3F	60	61.12	67	45	-	38	48	12	0.84
26-8M-30	26	S3F	65	66.21	70	50	-	38	48	12	1.00
28-8M-30	28	S3F	70	71.30	75	50	-	38	48	16	1.12
30-8M-30	30	S3F	75	76.39	83	55	-	38	48	16	1.32
32-8M-30	32	S3F	80	81.49	87	60	-	38	48	16	1.53
34-8M-30	34	S3F	85	86.58	91	70	-	38	48	16	1.80
36-8M-30	36	S3F	90	91.67	97	70	-	38	48	16	1.99
38-8M-30	38	S3F	95	96.77	102	75	-	38	48	16	2.27
40-8M-30	40	S3F	100	101.86	106	75	-	38	48	16	2.40
44-8M-30	44	S3F	111	112.05	120	75	-	38	48	16	2.80
48-8M-30	48	S3F	121	122.23	128	75	-	38	48	16	3.20
56-8M-30	56	P3F	141	142.60	150	80	117	38	48	16	3.60
64-8M-30	64	P3F	162	162.97	168	80	138	38	48	16	4.30
72-8M-30	72	P3F	182	183.35	192	80	158	38	48	16	4.80
80-8M-30	80	P3	202	203.72	-	90	180	38	48	16	5.10
90-8M-30	90	P3	228	229.18	-	90	204	38	48	16	5.70
112-8M-30	112	A3	284	285.21	-	90	260	38	48	16	6.80
144-8M-30	144	A3	365	366.69	-	90	341	38	48	20	9.30
168-8M-30	168	A3	426	427.81	-	100	402	38	48	20	11.40
192-8M-30	192	A3	488	488.92	-	100	463	38	48	20	16.00

8mm Pitch 8M-50 (50mm Wide Belt)



Product Designation	Number of teeth	Type	De	Dp	Df	Dm	Di	F	L	d	Weight kg
22-8M-50	22	S3F	55	56.02	60	43	-	60	70	12	1.00
24-8M-50	24	S3F	60	61.12	67	45	-	60	70	12	1.23
26-8M-50	26	S3F	65	66.21	70	50	-	60	70	12	1.50
28-8M-50	28	S3F	70	71.30	75	50	-	60	70	16	1.67
30-8M-50	30	S3F	75	76.39	83	55	-	60	70	16	1.97
32-8M-50	32	S3F	80	81.49	87	60	-	60	70	16	2.27
34-8M-50	34	S3F	85	86.58	91	70	-	60	70	16	2.69
36-8M-50	36	S3F	90	91.67	97	70	-	60	70	16	2.97
38-8M-50	38	S3F	95	96.77	102	75	-	60	70	16	3.23
40-8M-50	40	S3F	100	101.86	106	75	-	60	70	18	3.50
44-8M-50	44	S3F	111	112.05	120	75	-	60	70	18	3.90
48-8M-50	48	S3F	121	122.23	128	80	-	60	70	18	4.30
56-8M-50	56	P0F	141	142.60	150	90	117	60	60	18	5.00
64-8M-50	64	P0F	162	162.97	168	100	137	60	60	18	5.60
72-8M-50	72	P0F	182	183.35	192	100	158	60	60	18	6.80
80-8M-50	80	A0	202	203.72	-	110	180	60	60	18	6.90
90-8M-50	90	A0	228	229.18	-	110	204	60	60	18	8.60
112-8M-50	112	A0	284	285.21	-	110	260	60	60	18	9.60
144-8M-50	144	A0	365	366.69	-	110	341	60	60	20	13.80
168-8M-50	168	A0	426	427.81	-	120	402	60	60	20	16.00
192-8M-50	192	A0	488	488.92	-	130	463	60	60	20	22.40

8mm Pitch 8M-85 (85mm Wide Belt)



Product Designation	Number of teeth	Type	De	Dp	Df	Dm	Di	F	L	d	Weight kg
22-8M-85	22	S3F	55	56.02	60	43	-	95	105	12	1.55
24-8M-85	24	S3F	60	61.12	67	45	-	95	105	12	1.90
26-8M-85	26	S3F	65	66.21	70	50	-	95	105	12	2.25
28-8M-85	28	S3F	70	71.30	75	50	-	95	105	16	2.55
30-8M-85	30	S3F	75	76.39	83	55	-	95	105	16	3.00
32-8M-85	32	S3F	80	81.49	87	60	-	95	105	16	3.57
34-8M-85	34	S3F	85	86.58	91	70	-	95	105	16	4.00
36-8M-85	36	S3F	90	91.67	97	70	-	95	105	16	4.50
38-8M-85	38	S3F	95	96.77	102	75	-	95	105	16	4.90
40-8M-85	40	S3F	100	101.86	106	75	-	95	105	16	5.20
44-8M-85	44	S3F	111	112.05	120	75	-	95	105	18	6.60
48-8M-85	48	S3F	121	122.23	128	80	-	95	105	18	7.60
56-8M-85	56	S3F	141	142.60	150	90	-	95	105	18	9.80
64-8M-85	64	P0F	162	162.97	168	100	137	95	95	20	10.40
72-8M-85	72	P0F	182	183.35	192	100	158	95	95	20	11.40
80-8M-85	80	A0	202	203.72	-	110	180	95	95	20	13.20
90-8M-85	90	A0	228	229.18	-	110	204	95	95	20	16.30
112-8M-85	112	A0	284	285.21	-	110	260	95	95	25	21.50
144-8M-85	144	A0	365	366.69	-	110	341	95	95	25	23.60
168-8M-85	168	A0	426	427.81	-	120	402	95	95	25	26.10
192-8M-85	192	A0	488	488.92	-	130	463	95	95	25	30.60